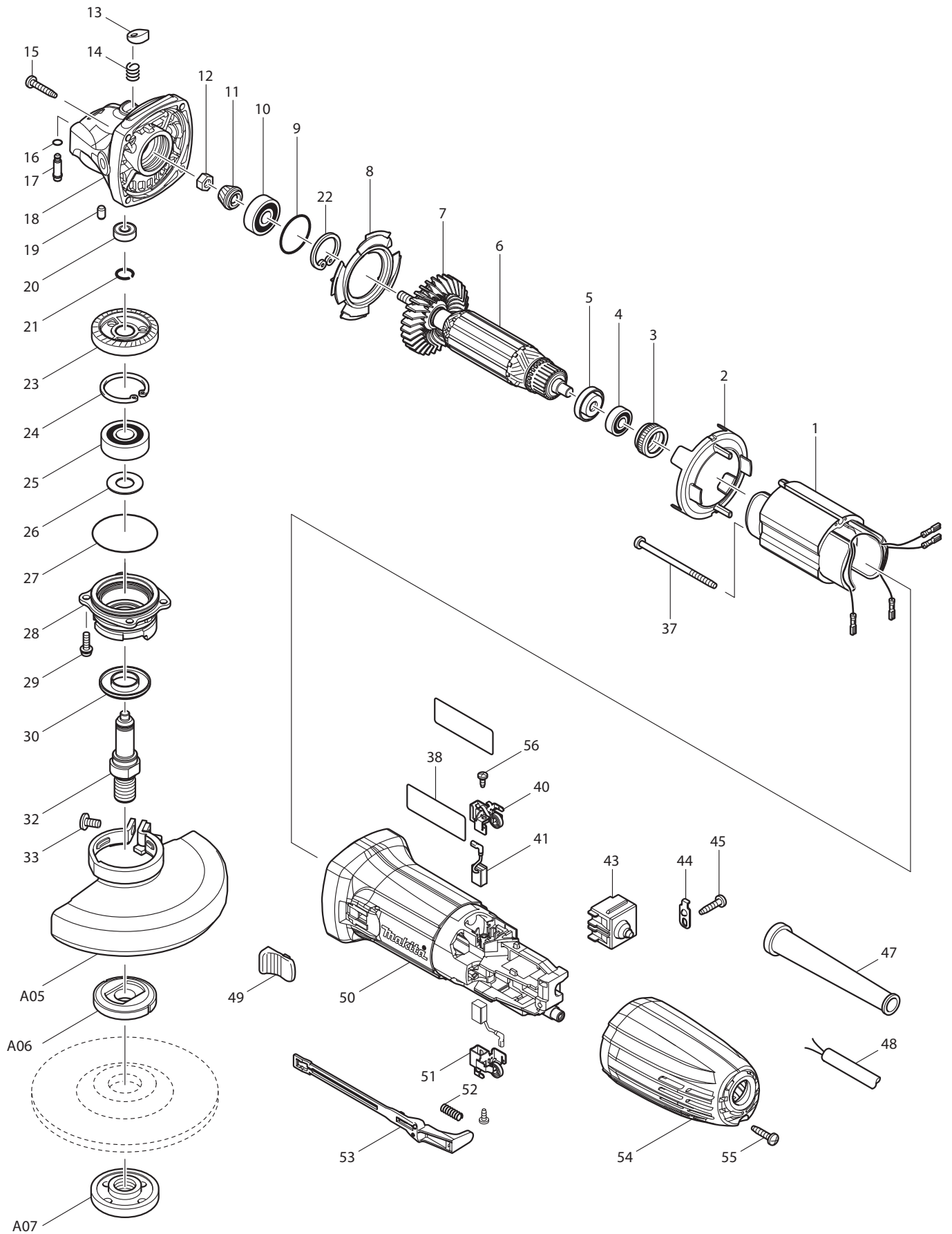




09 - 2010
GA5030K
5" ANGLE GRINDER



Item No	Type	Ref	Ref Part No	Description	Qty	Unit
001	2		635111-8	FIELD 115V	1	PC.
002			450796-7	BAFFLE PLATE	1	PC.
003	2		422768-2	LABYRINTH RUBBER RING 19	1	PC.
004			210034-7	BALL BEARING 607LLB	1	PC.
005			681636-0	INSULATION WASHER	1	PC.
006			517646-0	ARMATURE ASS'Y 115V	1	PC.
006				Item No. 4, 5, 7	1	PC.
007	1		240107-2	FAN 56	1	PC.
	2		240139-9	FAN 56	1	PC.
008			413126-3	GUIDE PLATE	1	PC.
009			213445-5	O-RING 26	1	PC.
010			211092-6	BALL BEARING 629DDW	1	PC.
011			227545-5	* SPIRAL BEVEL GEAR 10	1	PC.
012			252186-8	HEX. NUT M6	1	PC.
013			417771-6	PIN CAP	1	PC.
014			234057-1	COMPRESSION SPRING 8	1	PC.
015			266324-6	TAPPING SCREW 4X22	4	PC.
016			213032-0	O RING 4 (OLD# 213960-9)	1	PC.
017			256510-7	SHOULDER PIN 4	1	PC.
018			318335-8	GEAR HOUSING	1	PC.
019			263002-9	RUBBER PIN 4	1	PC.
020			210033-9	BALL BEARING 696ZZ	1	PC.
021			233950-6	RING SPRING 11	1	PC.
022			962105-3	RETAINING RING R-26	1	PC.
023			227546-3	* SPIRAL BEVEL GEAR 37	1	PC.
024			962151-6	RETAINING RING R-32	1	PC.
025			211129-9	BALL BEARING 6201DDW	1	PC.
026	2		267238-2	FLAT WASHER 12	1	PC.
027			213561-3	O RING 42	1	PC.
028			318336-6	BEARING BOX	1	PC.
029			265099-4	PAN HEAD SCREW M4X14	4	PC.
030			345464-4	LABYRINTH RING	1	PC.
032			324955-8	SPINDLE A	1	PC.
033			265180-1	PAN HEAD SCREW M5X16	1	PC.
037			266325-4	TAPPING SCREW 4X70	2	PC.
038			866062-6	GA5030 NAME PLATE	1	PC.
040			643839-4	BRUSH HOLDER 6X9	1	PC.
041	2		195025-8	CARBON BRUSH CB-458 2PC/SET (W/ ORIGIN)	1	SET
043	2		650621-4	SWITCH PS10	1	PC.
044			687681-3	STRAIN RELIEF	1	PC.
045			266326-2	TAPPING SCREW 4X18	1	PC.
047			682559-5	CORD GUARD 8	1	PC.
048			664891-9	CORD WITH PLUG 2P-18-2.5M SJ	1	PC.
049			419566-3	SWITCH KNOB	1	PC.
050	2		144003-5	MOTOR HOUSING COMPLETE	1	PC.
		INC.	809R73-6	CAUTION LABEL (FR/SP)	1	PC.
		INC.	810341-4	CAUTION LABEL	1	PC.
051			643839-4	BRUSH HOLDER 6X9	1	PC.
052			233121-5	COMPRESSION SPRING 4	1	PC.
053			450797-5	SWITCH LEVER	1	PC.
054			450794-1	REAR COVER	1	PC.
055			266326-2	TAPPING SCREW 4X18	1	PC.
056	2		266492-5	TAPPING SCREW 3X8 (OLD# 265954-0)	2	PC.

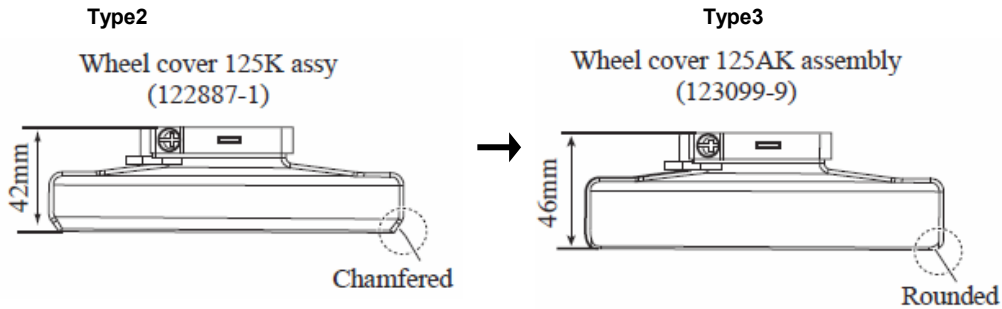
Item No	Type	Ref	Ref Part No	Description	Qty	Unit
057			891976-0	CLEAR LABEL	1	PC.
100			652044-2	+BIND SCREW M 3.5X5.0 (FOR SWITCH)	2	PC.
101			652263-0	CLAMP WASHER (FOR SWITCH)	2	PC.
<u>ACCESSORIES</u>			- See catalogue or visit www.makita.ca for more optional accessories -			
A01			153504-2	GRIP 36 COMPLETE	1	PC.
A02			782424-9	LOCK NUT WRENCH 28	1	PC.
A03			824736-5	PLASTIC CARRYING CASE	1	PC.
		INC.	182935-8	SLIDE LATCH (R.L) SET	1	SET
A04	2		D-20797	5" ABRASIVE DEPRESSED CENTRE WHEEL A24R	1	PC.
	3		A-95962-25	5" D.C.G.W WA36N 25/PK	1	PC.
A05	2		122887-1	* WHEEL COVER 125K ASS'Y F/5"	1	PC.
		INC.		* Item No. 33	1	PC.
		INC.	213009-5	* O RING 4	1	PC.
	3		123099-9	* WHEEL COVER 125AK ASS'Y F/5"	1	PC.
		INC.		* Item No. 33		
A06			224399-1	INNER FLANGE 45	1	PC.
A07			224568-4	LOCK NUT 5/8-45	1	PC.
A08			194514-0	VIBRATION PROOF GRIP F/4" - 6", PKG	1	PC.
A10			193048-0	SANDING LOCK NUT 5/8-48	1	PC.
A11			743015-1	RUBBER PAD F/5"	1	PC.
A12			196845-3	TUCKPOINTING DUST GUARD ATTACHMENT	1	PC.
A13			-----	4-1/2" - 5" DIAMOND TUCKPOINT BLADES		
A14			B-38532	5" 2IN1 ABRASIVE DISC A36T	1	PC.
A15			122911-0	5" WHEEL COVER (C.O.W)	1	PC.

SERVICE CHANGES

1. Changes on Wheel Cover Assembly

(TI#A5003)

Item No.	Description	Type 2	Type3
A05	Wheel Cover 125K Assy > Wheel Cover 125AK Assy	122887-1	123099-9



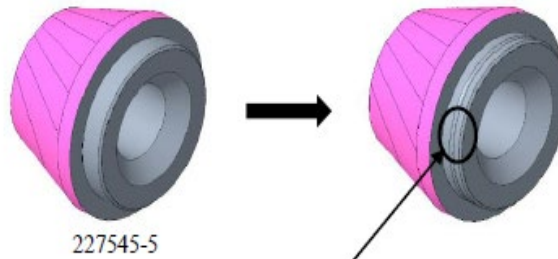
2. Changes on Spiral Bevel Gear 10 and Spiral Bevel Gear 37

(T/I#DJ258)

Item No.	Description	Type 1	Type 2
11	SPIRAL BEVEL GEAR10	227545-5	227545-5
23	SPIRAL BEVEL GEAR37	227545-5	227545-5

Above parts are completely interchangeable as a set.

[1] Spiral bevel gear 10



Addition: Groove for distinction

[2] Spiral bevel gear 37

